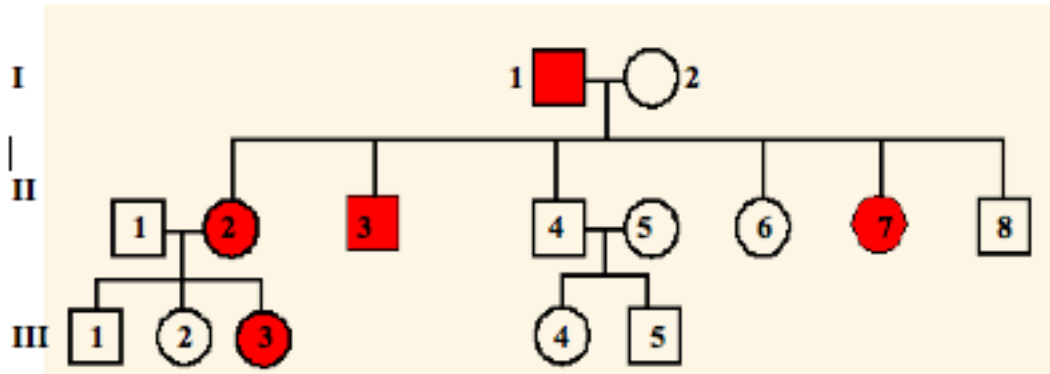


Name _____

Date _____ Period _____

Target Practice, Unit 7 Test, Topic #3 – Pedigrees



NOTE- carriers are not shown on this pedigree although Sickle Cell Anemia IS A RECESSIVE DISORDER.

1. Which members of the family above are afflicted with sickle cell anemia? _____
2. How are individuals III-4 and III-5 related? _____
3. How are individuals I-1 and I-2 related? _____
4. How are individuals II-7 and III-2 related? _____
5. How are individuals I-2 and III-5 related? _____
6. How many children did individuals I-1 and I-2 have? _____
7. How many girls did II-1 and II-2 have? _____ How many have sickle cell anemia? _____
8. Label the possible genotypes for all individuals in the pedigree. One person can have more than one possible genotype